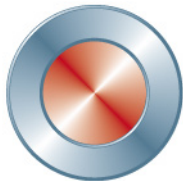
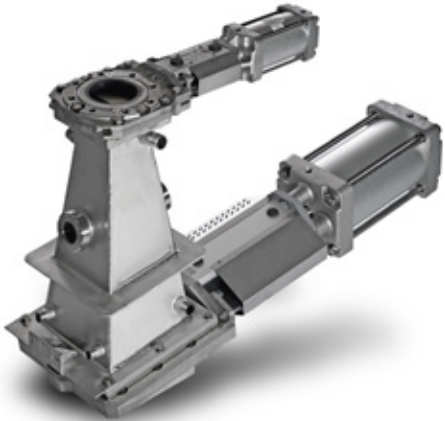


Junc Trap JT



Stafsjö
SINCE 1666

Data is only for informational purpose. All specifications are subject to change without notice.

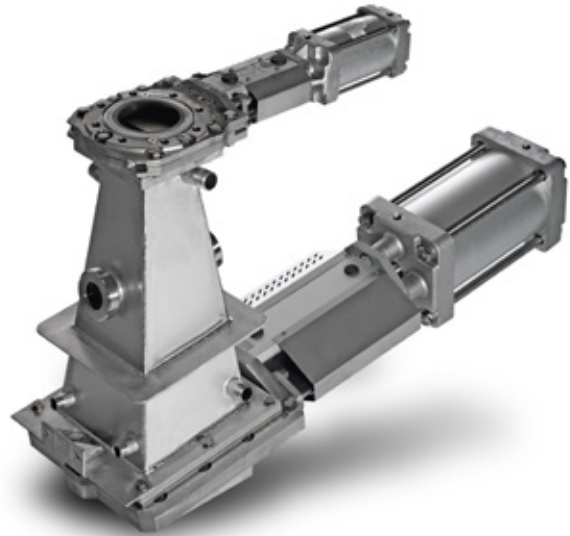
The Junc Trap JT

This complete Junk Trap is designed for really tough process conditions handling difficult and abrasive media. The JT is specially designed to minimize turbulence, erosive wear, and build-up of solids and reject material.

It consists of the RKO valve on the inlet side, which has a circular inlet and a square outlet, the square JTV valve on the outlet side which is installed in an inclined position on the quadratic and conic shaped reject tank. The reject tank enables different ways of operation, depending on media and type of application. It is designed with two sight glasses for observation of the reject level in the chamber. Water (flush/fill) and air bleed connections are located near the top of the tank and three connections are located near the lower end in order to prevent possible clogging and congestions in dead corners.

Both RKO and JTV can be equipped with different types of accessories, such as solenoid valve and limit switches. The knife gate valves are equipped with pneumatic cylinders as standard. More detailed information about the two valves is presented in the data sheets for each valve, available at www.stafsjo.com.

JT is designed, manufactured, inspected and tested according to the European Pressure Equipment Directive (PED 97/23/EC) category I and II module A1. JT is therefore CE-marked when it is applicable.



Knife gate valve RKO



Knife gate valve JTV



The Junc Trap JT

Design data

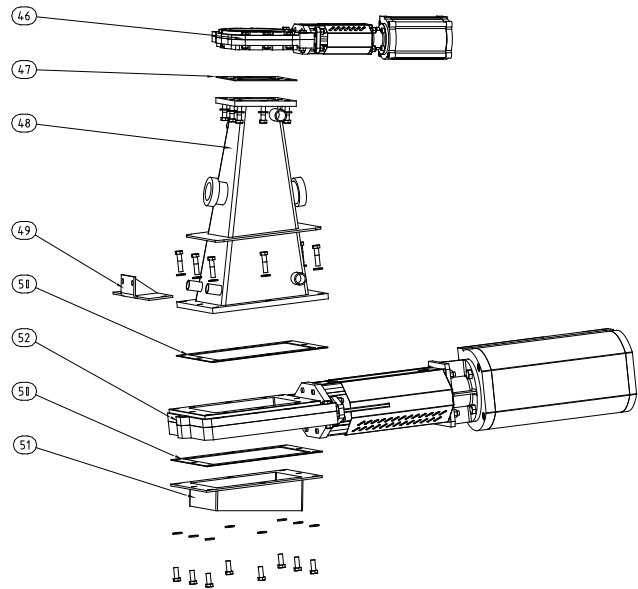
Maximum working pressure at 20°C		Maximum differential pressure at 20°C	
DN	bar	DN	bar
100-150/250	6	100-150/250	6

Pressure tests

Pressure tests are performed on JT with water at 20°C acc. to EN 12266-1:2012. Pressure for control of complete unit: 1,5 times maximum allowable working pressure.

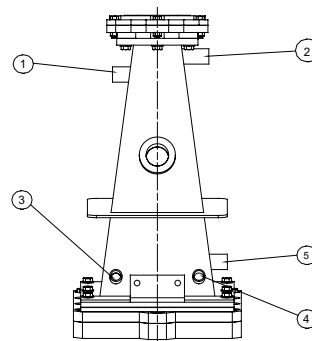
Part list

Pos	Detalj	Material (Name)
46	RKO	See data sheet
47	Gasket	KLINGERSil C-4430
48	Reject tank	Stainless steel (EN 1.4436)
49	Support	Stainless steel (EN 1.4436)
50	Gasket	KLINGERSil C-4430
51	Splash guard	Stainless steel (EN 1.4436)
52	JTV	See data sheet



Connections

Pos	Connection type	DN
1	Water (flush/fill)	DN25/R 1"
2	Air (De-aeration)	DN25/R 1"
3	Water (flush/fill)	DN25/R 3/4"
4	Water (flush/fill)	DN25/R 3/4"
5	Water (flush/fill)	DN25/R 1"



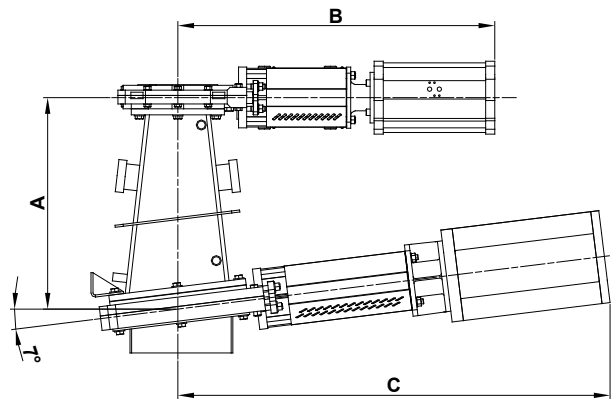
Main dimensions

Dimension (mm)						
DN	A	B	C	Volym L ¹⁾	Weight kg ²⁾	
100/250	639	555	1068	15	148	
150/250	522	783	1068	17	163	

¹⁾ Volume (litres) reject tank.

²⁾ Weight reject tank, knife gate valves (RKO and JTV) equipped with double-acting pneumatic cylinders.

Main dimensions are only for information. Contact Stafsjö for certified drawings.

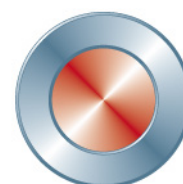


Further information is available on www.stafsjo.com



Globally active. Locally represented.

AFRICA South Africa: Valve & Automation (Pty) Ltd, **ASIA** China: EBRO ARMATUREN (BEIJING) CO., LTD, India: Ebro Armaturen India Pvt. Ltd, Indonesia: Contromatic Prima Mandiri PT, Japan: SKC Co. Ltd, Malaysia: Precision Control SdnBnd, Philippines: EBRO ARMATUREN (PHILIPPINES) INC., Thailand: EBRO VALVES (Trading) Co. Ltd., Vietnam: EBRO VALVES (Thailand) Co., Ltd, **AUSTRALIA/OCEANIA** Australia: EBRO ARMATUREN Pacific PTY. LTD, New Zealand: H.J.Asmuss&Co.Ltd **EUROPE** Austria: EBRO ARMATUREN GmbH, Belgium: V.C.T. - Valve & Connector Technology n.v., Denmark: Valtor Industri A/S, Finland: Tecalemit Flow Oy, France: EBRO ARMATUREN, Germany: EBRO ARMATUREN Gebr. Bröer GmbH, Great Britain: EBRO Valves Ltd, Hungary: EBRO ARMATUREN Kft, Ireland: ESI Technologies Ltd., Iceland: Hédinn HF, Italy: EBRO VALVOLE SRL, The Netherlands: EBRO VALVES B.V., Norway: BAGGES AS, Poland: EBRO ARMATUREN GmbH, Portugal: AxFlow Comércio de Equipamentos LDA, Russia: LesBumMash Ltd, Roitech and Sevkom, Spain: EBRO ARMATUREN ESPAÑA, S.L., Switzerland: EBRO Armaturen Est. & Co. KG, Sweden: Stafsjö Valves AB and Ahlsell Sverige AB, Turkey: EBRO ARMATUREN Otomasyon Sistemleri San ve Tic Ltd. Sti, Ukraine: EBRO ARMATUREN GmbH Representative office Kiev **NORTH AMERICA** Canada: Armour Valve Ltd, USA: EBRO ARMATUREN USA Inc. **SOUTH AMERICA** Argentina: ESCO ARGENTINA SA, Brazil: ELAN Equipamentos Industriais LTDA, Chile: Ebro Stafsjö Valves Chile Ltd
For other countries, please contact us directly.



Stafsjö
SINCE 1666